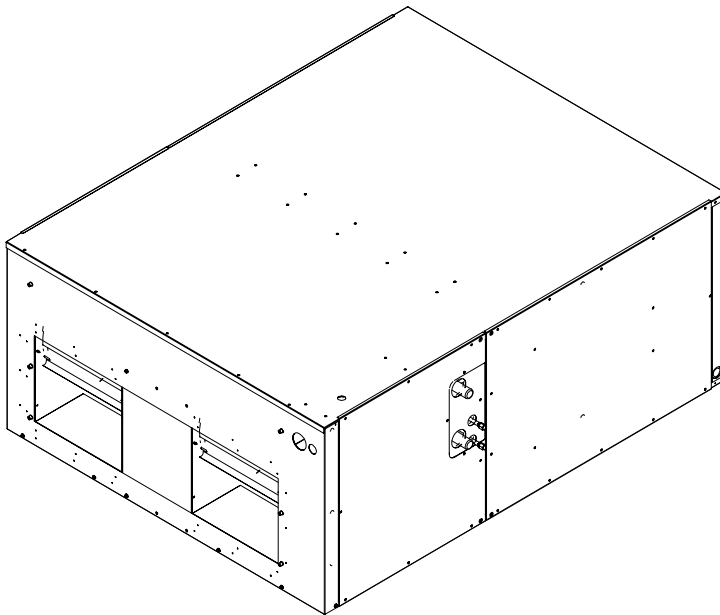




# REPAIR PARTS

---

## AR090 and AR120 Light Commercial Air Handlers



AR090  
AR120  
AR120F  
AR90F

Made in the USA by:  
Goodman Manufacturing Company, L.P.  
2550 North Loop West, Suite 400  
Houston Texas 77092

[www.goodmanmfg.com](http://www.goodmanmfg.com)

RP-289B  
Revision 0  
October 2005

# Important Information

---

## Index

Functional Parts List .....	3
Illustration and Parts .....	4 - 9

*Views shown are for parts illustrations only, not servicing procedures*

Rev. A: Added AR090F and AR120F.

### Text Codes:

AR - As Required

NA - Not Available

NS - Not Shown

00000000 - See Note

QTY - Quantity Example (QTY 3) (If Quantity not shown, Quantity = 1)

M - Model Example (M1) (If M Code not shown, then part is used on all Models)

### Expanded Model Nomenclature:

Example	
M1 - Model#1	P _____
M2 - Model#2	P _____
M3 - Model#3	P _____

Goodman Manufacturing Company, L.P. is not responsible for personal injury or property damage resulting from improper service. Review all service information before beginning repairs.

Warranty service must be performed by an authorized technician, using authorized factory parts. If service is required after the warranty expires, Goodman Manufacturing Company, L.P. also recommends contacting an authorized technician and using authorized factory parts.

Goodman Manufacturing Company, L.P., reserves the right to discontinue, or change at any time, specifications or designs without notice or without incurring obligations. Goodman® brand products are made proudly in the

For assistance within the U.S.A. contact:  
Consumer Affairs Department  
Goodman Manufacturing Company, L.P.  
7401 Security Way  
Houston, Texas 77040  
877-254-4729-Telephone  
713-863-2382-Facsimile

For assistance outside the U.S.A. contact:  
International Division  
Goodman Manufacturing Company, L.P.  
7401 Security Way  
Houston, Texas 77040  
713-861-2500-Telephone  
713-863-2382-Facsimile

# Functional Parts

## Part

## No: Description:

---

2100501FS	BLOWER ASSEMBLY 11" X 10" (M2, M4) INCLUDES FIXED PITCH SHEAVE
2100500FS	BLOWER ASSEMBLY 11" X 10" (M1, M3) INCLUDES FIXED PITCH SHEAVE
B1360315	CONTACTOR RELAY
B3240002	MOTOR (1.5HP 208/230/460V-3-60HZ) (M1, M3)
B3240006	MOTOR (2HP 208/230/460V-3-60HZ) (M2, M4)
B1141672	TRANSFORMER (PRI. 208/240/480V, SEC. 24V, 75 VA.)

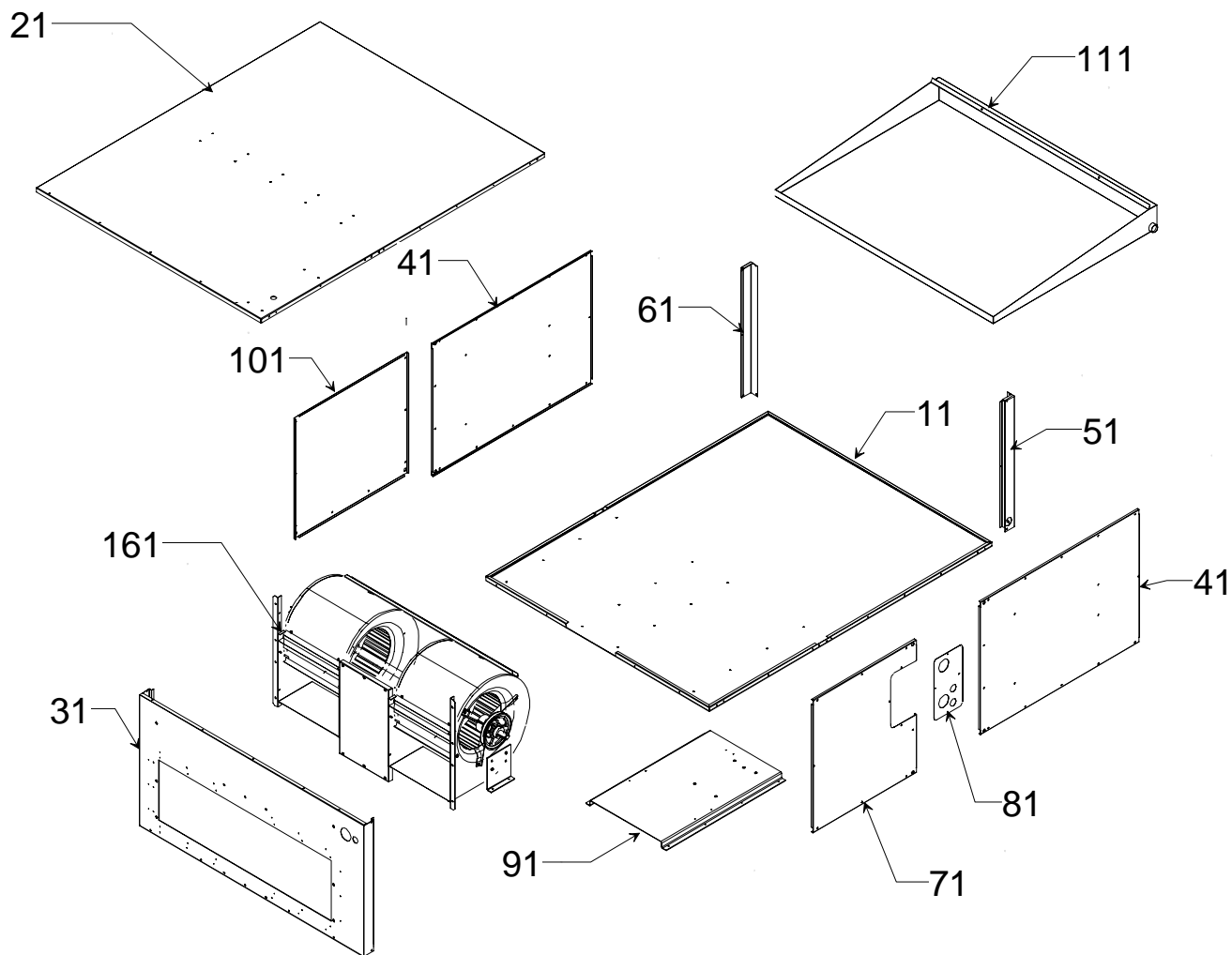
### SPECIAL PARTS

IO-269	INSTALLATION & OWNERS MANUAL (M3, M4)
IO-227	INSTALLATION & OWNERS MANUAL (M1, M2)
B1610637	PAINT PWDR. DRK GRAY (M3, M4)
RP-289B	REPAIR PARTS MANUAL (M1, M2)
IO-616	SUPPLEMENT (M3, M4)

### Expanded Model Nomenclature

M1 - AR090
M2 - AR120
M3 - AR90F
M4 - AR120F

# Sheet Metal and Blower



# Sheet Metal and Blower

Ref. Part No:	No:	Description:	Ref. Part No:	No:	Description:
---------------	-----	--------------	---------------	-----	--------------

---

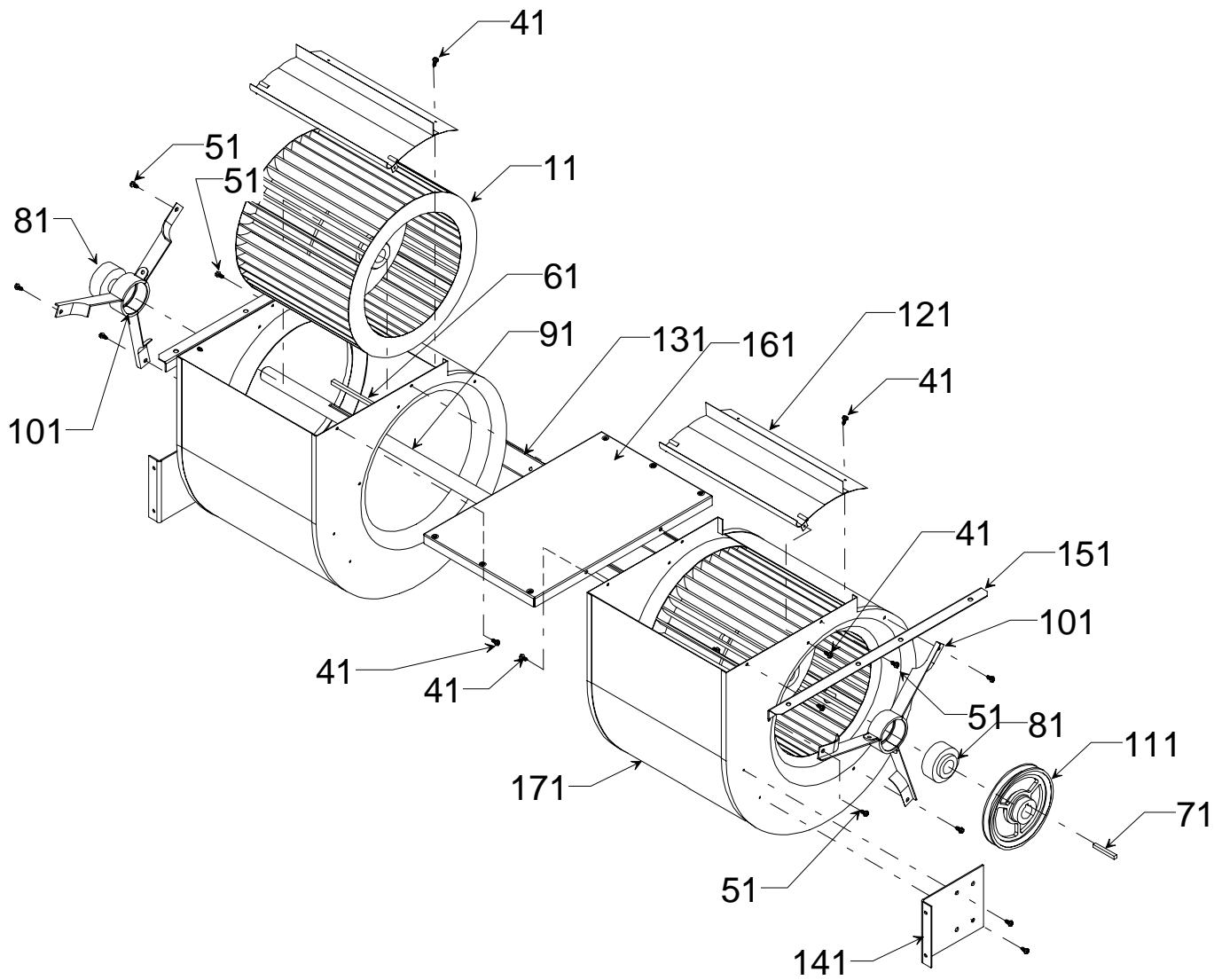
Image 1:

11	2190000FS	LEFT SIDE PANEL INSUL. ASM
21	2190001FS	RIGHT SIDE PANEL INSUL. ASM
31	2190002FS	TOP PANEL INSUL. ASM
41	2190003FS	LOWER ACCESS PANEL INSUL. ASM. (QTY 2)
51	2122003F	FRONT CORNER
61	2122002F	REAR CORNER
71	2190004FS	UPPER ACCESS PANEL INSUL. ASM.
81	2190006FS	BLOCK-OFF PANEL INSUL. ASM.
81	2190007FS	BLOWER PLATE / INSUL (M3, M4)
91	2124001F	SUPPORT PLATE
101	2190005FS	REAR PANEL INSUL. ASM.
111	2102000FS	DRAIN PAN ASSEMBLY
161	2100500FS	BLOWER ASSEMBLY 11" X 10" (M1, M3)
161	2100501FS	BLOWER ASSEMBLY 11" X 10" (M2, M4)

Expanded Model Nomenclature

M1 - AR090
M2 - AR120
M3 - AR90F
M4 - AR120F

# Blower Assembly



# Blower Assembly

Ref. Part No:	No:	Description:	Ref. Part No:	No:	Description:
---------------	-----	--------------	---------------	-----	--------------

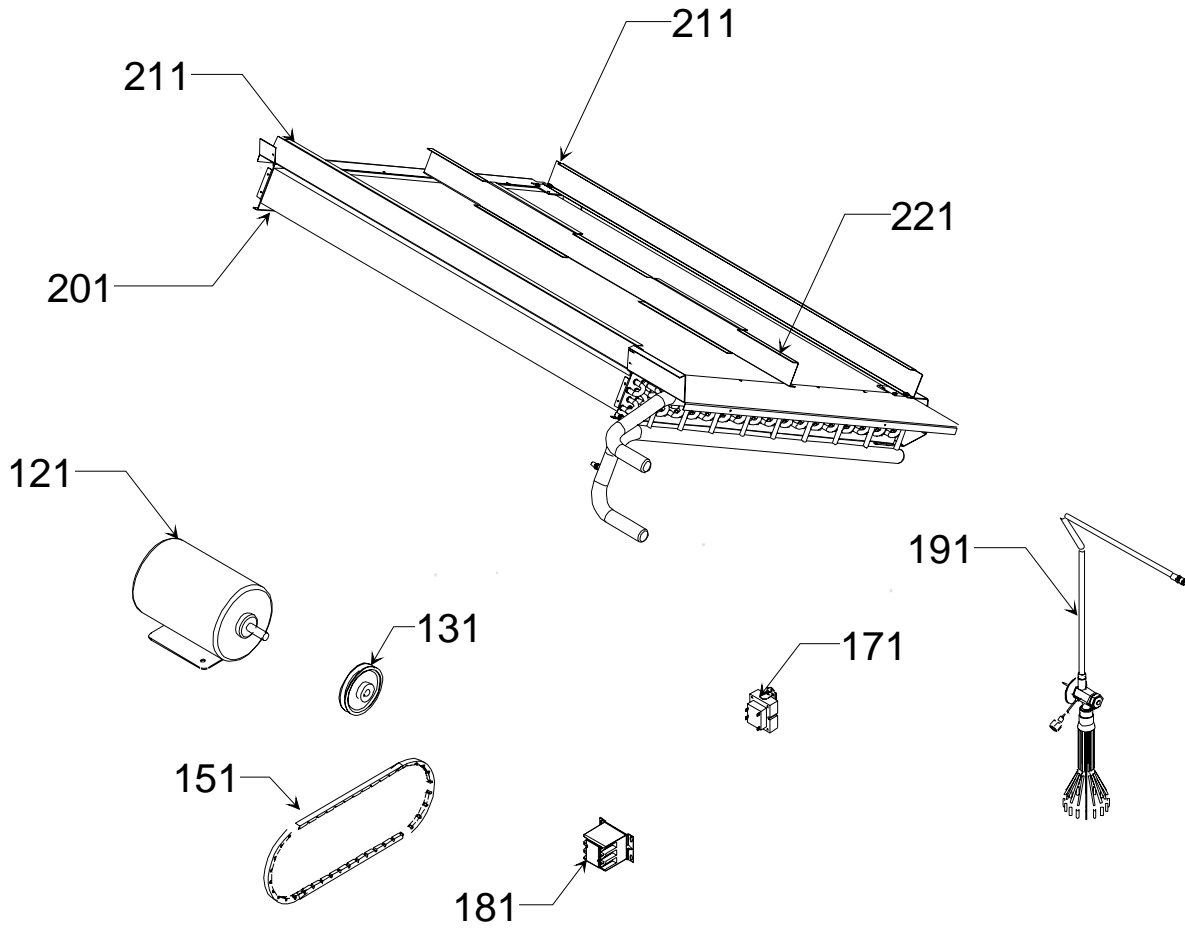
Image 1:

11	B1368056	BLOWER WHEEL (QTY 2)
41	B1393530	SCREW,HWH,10X1/2,A,Y (QTY 4)
51	B1393553	SCREW,HWH,14X5/8,A,B (QTY 18)
61	B1398604	STEEL KEY, 2.0"
71	B1398603	STEEL KEY, 4.5" (QTY 2)
81	B1399500	BRG / BALL, 1.00 (QTY 2)
91	B3200202	SHAFT / EVAP., 1"
101	B3201300	MOUNTING BRACKET BEARING (QTY 2)
111	B3204303	FIXED PITCH SHEAVE (PITCH DIA. 5.9" BY 1" BORE) (M1, M3)
111	B3204310	FIXED PITCH SHEAVE (PITCH DIA. 6.5" BY 1" BORE) (M2, M4)
121	1864703F	BLOWER CUT OFF, ASM (QTY 2)
131	2122012F	ANGLE, BLOWER SUPPORT
141	2124004F	SUPPORT BLOWER
151	2155715F	ANGLE SCROLL
161	2190007FS	BLOWER PLATE / INSUL
171	2539302F	BLWR SHL ASM,11X10
NS	B1369608	FILTER 20 X 16 X 2 (QTY 4)
NS	B1392021	PLASTIC PLUG, 1" (27 (QTY 4)

Expanded Model Nomenclature

M1 - AR090
M2 - AR120
M3 - AR90F
M4 - AR120F

# Tubing and Electrical Components





# Tubing and Electrical Components

Ref. Part No:	No:	Description:	Ref. Part No:	No:	Description:
---------------	-----	--------------	---------------	-----	--------------

Image 1:

121	B3240002	MOTOR (1.5HP 208/230/460V-3-60HZ) (M1, M3)
121	B3240006	MOTOR (2HP 208/230/460V-3-60HZ) (M2, M4)
131	B2120014	VARIABLE PITCH SHEAVE (PITCH DIA. 1.9" - 2.9" BY 5/8" BORE) (M2, M4)
131	B2120000	VARIABLE PITCH SHEAVE (PITCH DIA. 2.8" - 3.8" BY 5/8" BORE) (M1, M3)
151	B2110005	FAN BELT (39" BY 1/2") (M1, M3)
151	B2110011	FAN BELT (41" BY 1/2") (M2, M4)
171	B1141672	TRANSFORMER (PRI. 208/240/480V, SEC. 24V, 75 VA.)
181	B1360315	CONTACTOR RELAY
191	2159207F	LIQUID LINE AND VALVE ASM. (M1, M3)
191	2159205F	LIQUID LINE AND VALVE ASM. #1 (M2, M4)
191	2159206F	LIQUID LINE AND VALVE ASM. #2 (M2, M4)
201	2101000F	COIL TUBING ASSEMBLY (M1, M3)
201	2101001F	COIL TUBING ASSEMBLY (M2, M4)
211	2145000	SUPPORT-FILTER TOP AND BOTTOM
221	2145001	SUPPORT-FILTER
NS	B1369608	AIR FILTER 20 X 16 X 2 (M2, M4)
NS	B1369609	AIR FILTER 20 X 20 X 2 (M2, M4)
NS	3225000	ANGLE, BELT TIGHTENER
NS	2162505	ASSY-MOTOR BASE
NS	B1256551	SEQUENCER

Expanded Model Nomenclature

M1 - AR090
M2 - AR120
M3 - AR90F
M4 - AR120F